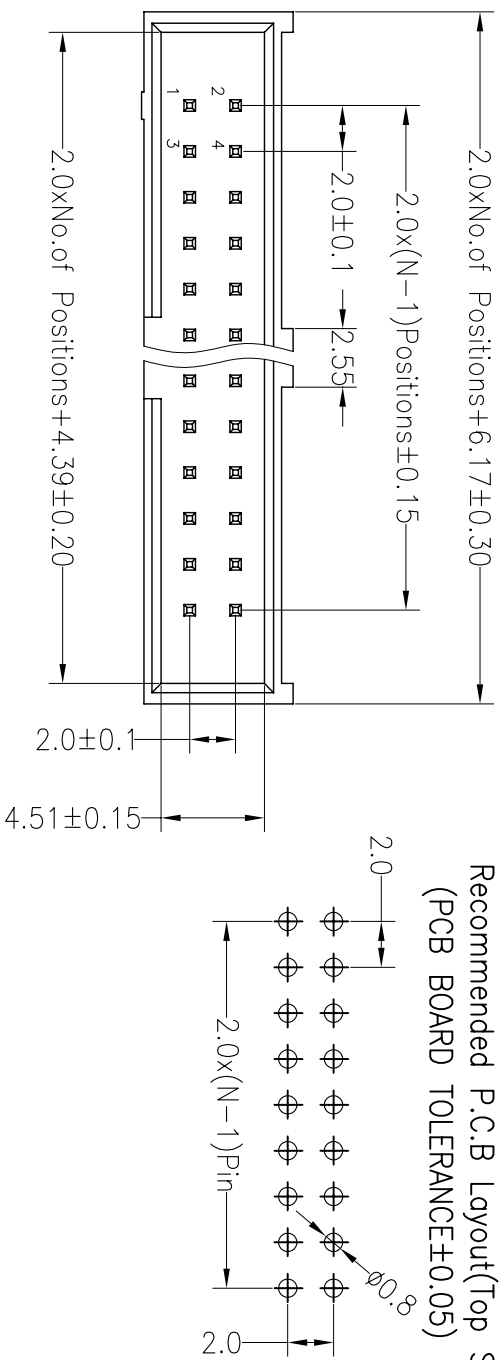


## SPECIFICATIONS

Rated Current: 2.0AMP  
 Contact Resistance: 20mΩ Max  
 Withstand Voltage: 500V AC/DC  
 Insulation Resistance: 1000MΩ Min  
 Operation Temperature: -40°C to +105°C

Contact Material: Brass  
 Contact Plating: Au or Sn Over Ni  
 Insulator Material: Polyester (UL94V-0)  
 Standard: LCP  
 Max. Processing Temp: 230°C for 30-60 seconds  
 (260°C for 10 seconds)



Recommended P.C.B Layout (Top Side)  
 (PCB BOARD TOLERANCE ± 0.05)

## Ordering Information

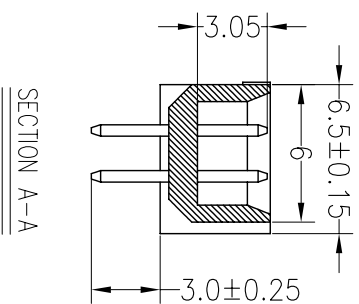
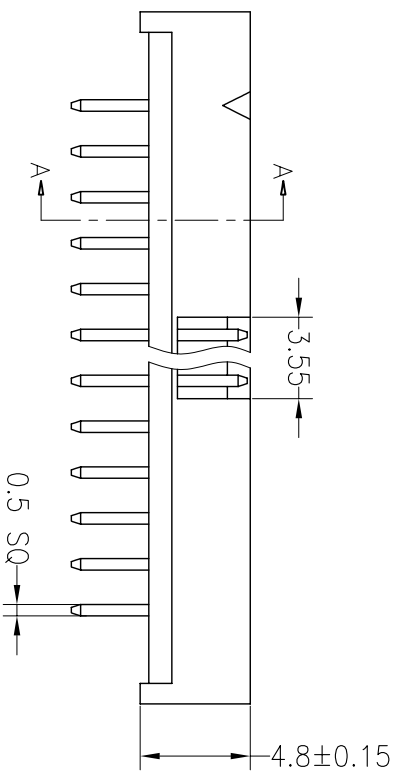
3224 XX S XX X B K00 X 01

No. of Pins: 6P, 8P, 10P, 12P, 14P, 16P, 18P, 20P, 22P, 24P, 26P, 30P, 34P, 36P, 40P, 44P, 50P, 60P, 64P

Contact Plating: 60:Gold Flash, G2:3U" Gold, G2:5U" Gold, G3:10U" Gold, G4:15U" Gold, G5:30U" Gold, S0:Gold Flash/Tin

Insulator Material Option: A=BK-PBT, B=BK-PA66, C=BK-PA6T, D=BK-PA46, E=BK-PA9T, F=BK-LCP

Packing: 0=PE Bag, A=Tray, T=Tube, P=Tube+Cap, R=Reel+Cap, S0=Gold Flash/Tin



OPERATION		DRAW		SCALE		FIT		PART NO.	
X.X	±0.30	Y YuSheng	15.04.18	UNIT	mm	A4	1/1	3224XXSXXBK00X01	
X.XX	±0.20	CHECK		SIZE					
X.XXX	±0.10			SHEET					
Angle	±3°	APPROVE		PROJ.					
DIM	TOL								
CHANGE		CHANGE		CHANGE		CHANGE		CHANGE	
REV	DATE	MODIFICATION DESCRIPTION		TITLE:		2.0Box Header Npin H4.8 180°			
A0	2015.04.18	NEW DRAWING		PART NO.		3224XXSXXBK00X01			
1				TITL:		2.0Box Header Npin H4.8 180°			

**JIN** 深圳市锦凌电子有限公司  
 SHENZHEN JINLING ELECTRONIC CO.,LTD  
 Tel: 86-755-2997-5806/5802 Fax: 86-755-2997-5992