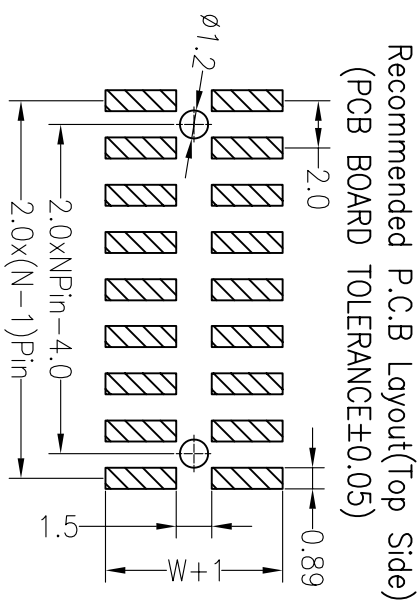
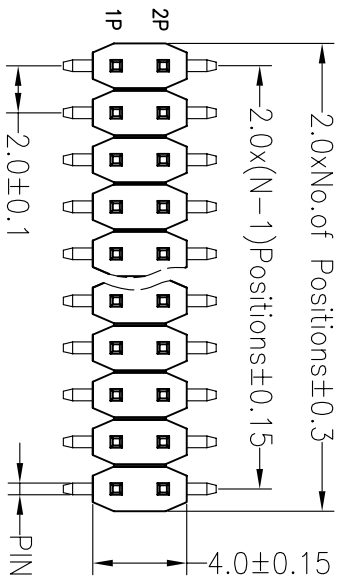


SPECIFICATIONS

Rated Current: 1.5AMP
 Contact Resistance: 20mΩ Max
 Withstand Voltage: 500V AC/DC
 Insulation Resistance: 1000MΩ Min
 Operation Temperature: -40°C to +105°C

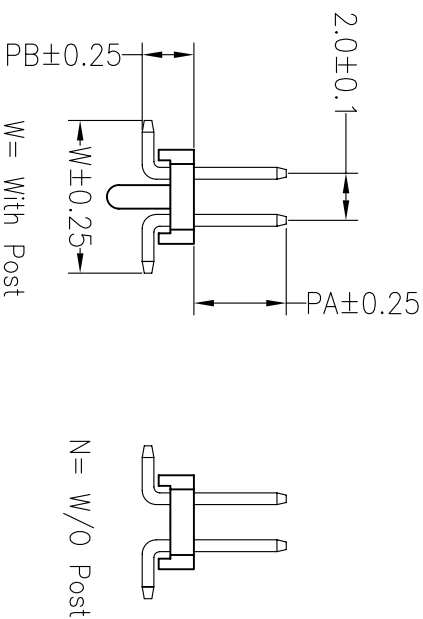
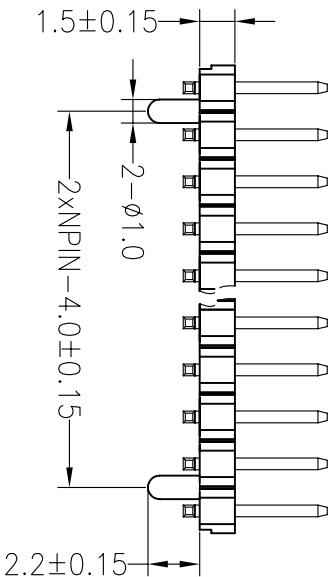
Contact Material: Brass
 Contact Plating: Au or Sn Over Ni
 Insulator Material: Polyester (UL94V-0)
 Standard: PA6T
 Max. Processing Temp: 230°C for 30-60 seconds
 (260°C for 5 seconds)



Ordering Information

131512XX X X XX M XXX X 01

No. of Pins Per Row: 2*2~2*40
 Insulator Material Option: A=BK-PBT, B=BK-PA66, C=BK-PA6T, D=BK-PA46, F=BK-LCP
 Post: W=With Post, N=W/O Post
 Contact Plating: G0:Gold Flush, G1:3U" Gold, G2:5U" Gold, G3:10U" Gold, G4:15U" Gold, G5:30U" Gold
 Pin Length: SN:Tin
 Packing: O=PE Bog, A=Tray, T=Tube, P=Tube+Cap, R=Reel+Cap



Dimension onththeses list				
ITEM	PA	PB	W	L
Standard	4.00	2.00	6.50	7.80
Alternate				

JIN 深圳市锦凌电子有限公司
 SHENZHEN JINLING ELECTRONIC CO.,LTD
 Tel: 86-755-2997-5806/5802 Fax: 86-755-2997-5992

REV	DATE	MODIFICATION DESCRIPTION	CHANGE	OPERATION	DRAW	Ben	12.04.11	SCALE	FIT	PART NO.	TITLE:
A0	2012.04.11	NEW DRAWING		X.X ±0.30				UNIT mm	A4	131512XXXXXXMXXXX01	2.0PH 2xNpin H1.5MM SMT
				X.XX ±0.20	CHECK			SIZE A4	1/1		
				X.XXX ±0.10				SHEET 1/1			
				Angle ±3°	APPROVE			PROJ.			
				DIM	TOL						