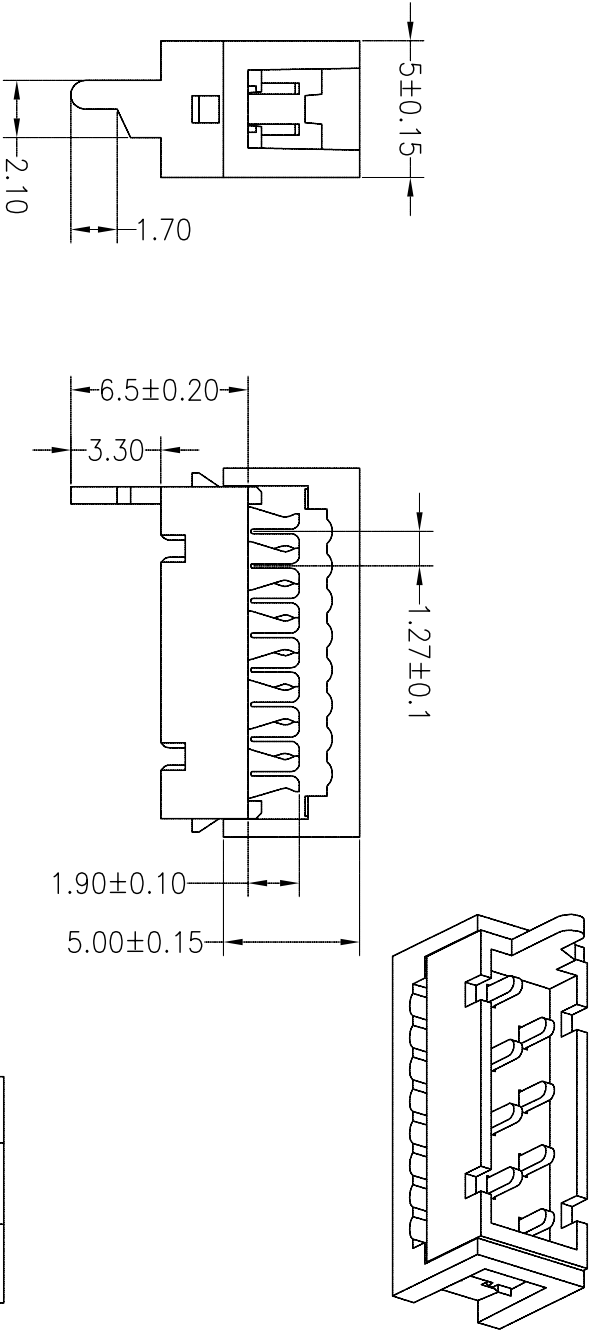


# HSP ROHS

## SPECIFICATIONS

Rated Current: 1.0AMP  
 Contact Resistance: 20mΩ Max  
 Withstand Voltage: 500V AC/DC  
 Insulation Resistance: 1000MΩ Min  
 Operation Temperature: -40°c to +105°c

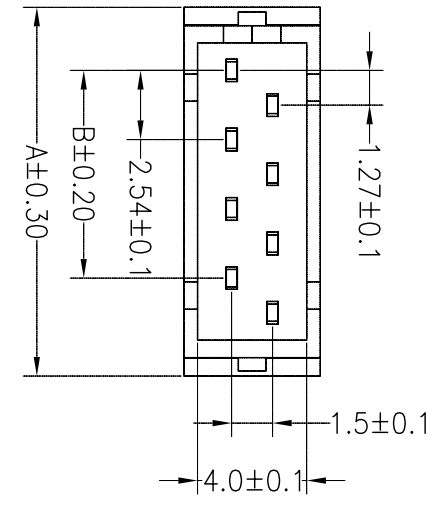
Contact Material: Brass  
 Contact Plating: Sn Over Ni  
 Insulator Material: Polyester (UL94V-0)  
 Standard: PBT  
 Max. Processing Temp: 180°C for 30-60 seconds  
 (200°C for 5 seconds)



## Ordering Information

4000 XX M I SNXNT 01

No. of Pins: 04~26P  
 Insulator Material: A=PBT, E=PA46  
 Packing: T=Tube



POLES	DIM.A	DIM.B
04	8.45	2.54
06	10.99	5.08
08	13.53	7.62
10	16.07	10.16
12	18.61	12.7
14	21.15	15.24
16	23.69	17.78
18	26.23	20.32
20	28.77	22.86
24	33.85	27.94
26	36.39	30.48

REV	DATE	MODIFICATION DESCRIPTION	CHANGE	OPERATION		DRAW	YTYuSheng	12.12.05	SCALE		FIT	PART NO.	TITLE:
				X.X	±0.30				UNIT	mm			
A0	2012.12.05	NEW DRAWING		X.XX	±0.20	CHECK			A4	mm	1/1	4000XXMISNXXNT01	MICRO MATCH Connector IDC-TYPE
1				Angle	±3°	APPROVE			SHEET	1/1			
				DIM	TOL				PROJ.				

**JIN** 深圳市锦凌电子有限公司  
 SHENZHEN JINLING ELECTRONIC CO.,LTD  
 Tel: 86-755-2997-5806/5802 Fax: 86-755-2997-5992